



**Hallam**

**Ecco Wall Cabinets**



## Ecco Wall Cabinets

Creating a cabinet system to cater for small to medium networks has often been regarded as too difficult and too expensive, and therefore overlooked by most computer cabinet manufacturers. But now Hallam Manufacturing have created the ideal cabinet to suit most office environments. With the flexibility to suit most installer's requirements, this economical, modern, well designed cabinet boasts many features which are often only built into larger more expensive cabinets. With fully welded construction, adjustable mounting members, rear swing chassis and cable knockout entry, this cabinet along with its wide range of options provides the complete inexpensive solution to your computer and electronic storage requirements.

### 1 Body

The body construction is fully welded to enable the installation of many types of network equipment ensuring the stability of the enclosure when mounted. Ventillation holes in the sides, top and base of the cabinet allow for maximum airflow through the equipment without the need for integrated fans. Cabinets are supplied completely assembled ready for installation. Four 19" industry standard mounting members are provided assembled within the cabinet to allow for the mounting of equipment and accessories. The top of the cabinet also incorporates knockouts for cable entry.

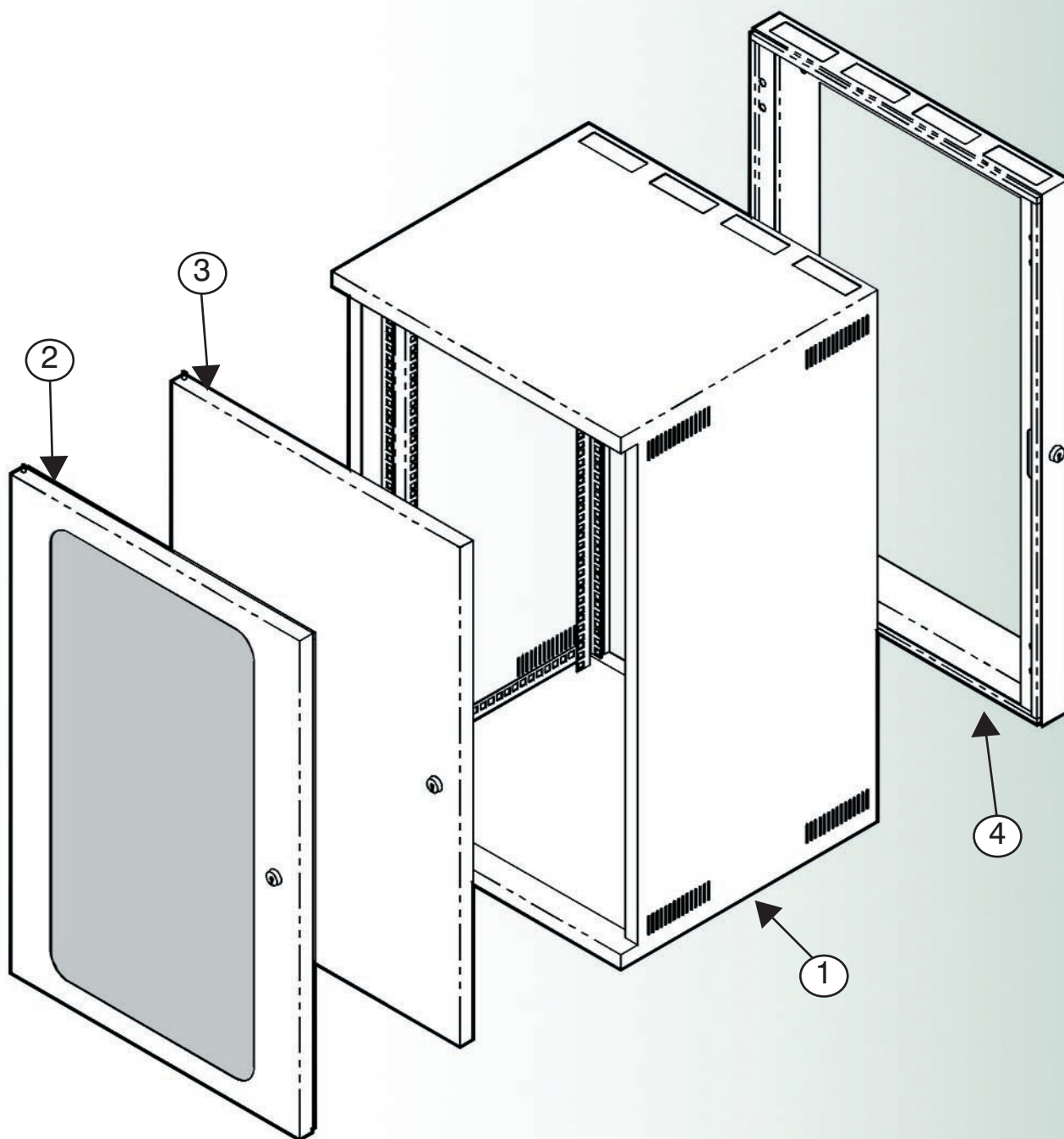
**Material: 1.2mm Zinc Coated Steel**  
**Finish: Powdercoat Ripple**  
**Colour: Grey Nurse**

### 2 Perspex Door

Perspex Doors provide additional security to the installation as well as providing visible access to critical equipment functions. Industry standard keylocks are supplied fitted, but approved high security locks are available upon request. All Doors are fitted with spring loaded hinges and can be fitted to swing open to the left or right as requested.

**Material: 1.0mm Zinc Coated Steel**  
**Perspex: 4.5 mm Perspex**  
**Finish: Powdercoat Ripple**  
**Colour: Grey Nurse**

# Component View for Ecco Wall Cabinet



## 3 Metal Door

Metal Doors are available which provide additional security for equipment if required. Industry standard keylocks are fitted, but approved high security locks are available if required. Both louvres and slotted ventilation can be provided on these doors as an optional extra. All Doors are fitted with spring loaded hinges and can be fitted to swing open to the left or right as requested.

**Material:** 1.0mm Zinc Coated Steel  
**Finish:** Powdercoat Ripple  
**Colour:** Grey Nurse

## 4 Rear Chassis

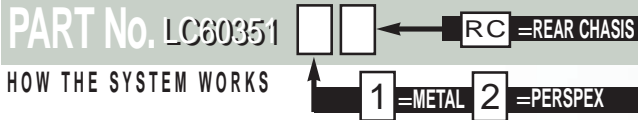
The Rear Chassis provides the wall cabinet with the optimum access to the mounted equipment and cabling for ease of installation and additions to the network. The Rear Chassis is directly mounted to the wall with the cabinet attached to the rear chassis via lift off hinges.

With the release of the locking mechanism the cabinet will swing 90° from the wall exposing the internal rear area of the cabinet. The top of the Rear Chassis also has cable knockouts for entry.

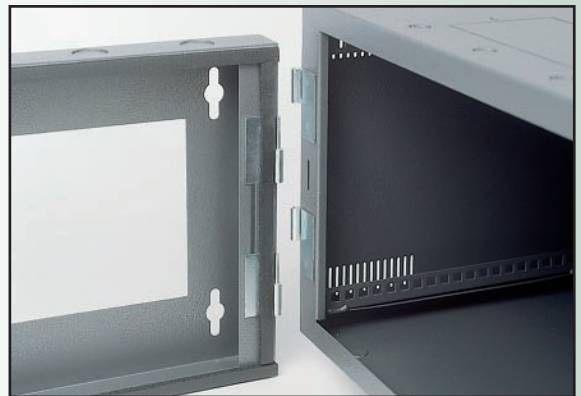
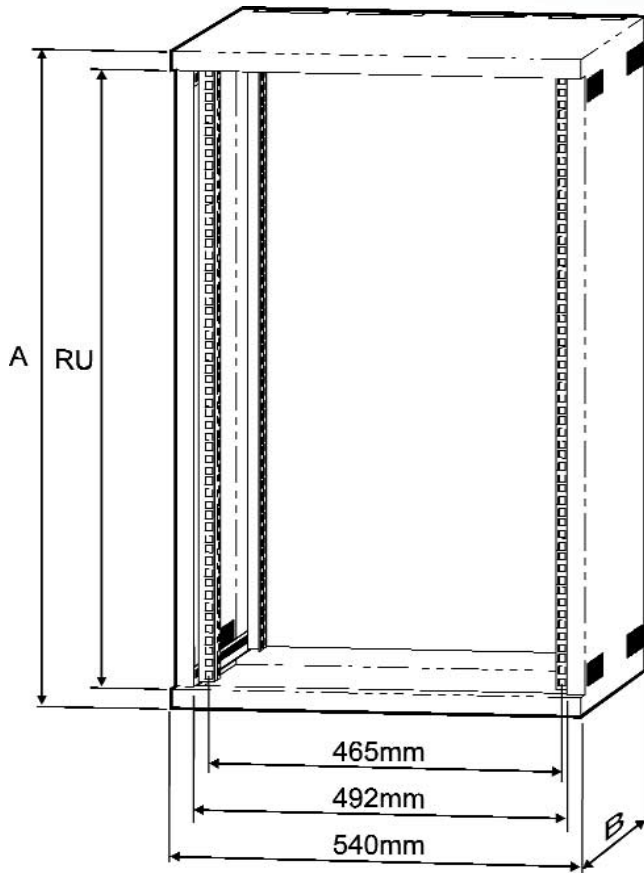
**Material:** 1.2mm Zinc Coated Steel  
**Finish:** Powdercoat Ripple  
**Colour:** Grey Nurse

# Specifications

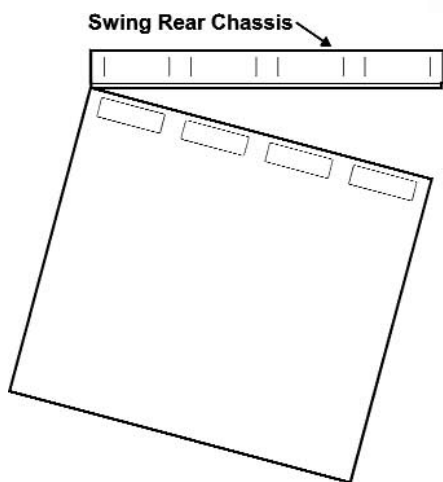
## OPTIONS



Model Number	Rack Unit	A	Height Overall	B	Depth Overall	Depth Internal
LC60351	6U		327mm		380mm	350mm
LC60451	6U		327mm		480mm	450mm
LC60601	6U		327mm		630mm	600mm
LC12351	12U		594mm		380mm	350mm
LC12451	12U		594mm		480mm	450mm
LC12601	12U		594mm		630mm	600mm
LC18351	18U		860mm		380mm	350mm
LC18451	18U		860mm		480mm	450mm
LC18601	18U		860mm		630mm	600mm
LC27351	27		1260.4mm		380mm	350mm
LC27451	27		1260.4mm		480mm	450mm
LC27601	27		1260.4mm		630mm	600mm



Lift off Hinges



Swinging Rear Chassis

Authorised Distributor

**Hallam**

MANUFACTURING PTY. LTD.

